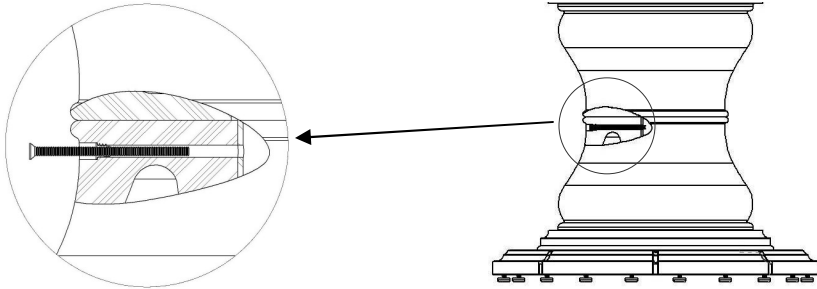


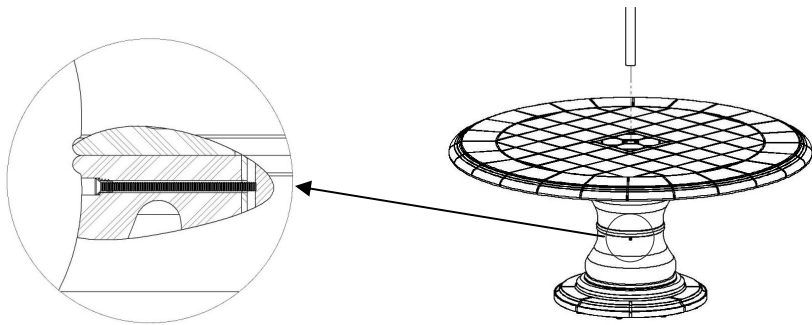
Step 6 Umbrella Installation (Optional)

Remove the Umbrella Hole Cap from the center of the Table Top. Un-screw the Umbrella Security Screw.



Step 7 Umbrella Installation (Optional)

With two persons, insert the umbrella pole through the umbrella hole in the Table Top and gently slide down until the pole seats at the bottom. Tighten the Umbrella Security Screw until snug and the umbrella is difficult to lift or rotate.



If you have difficulty understanding any of the instructions and need assistance while assembling the table together, please call Tropitone's Customer Service Center at 949-951-2010.

Tropitone Furniture Co., Inc.
5 Marconi, Irvine, CA 92618

949 951 2010 phone
www.tropitone.com

Part # R9T00116
Revised: 09.26.07

Tropitone
Indoor Style, Outdoor Furniture

Stoneworks™ Palazzo Pedestal Table Top & Base Assembly Instructions

Read through all steps before assembling the table together.

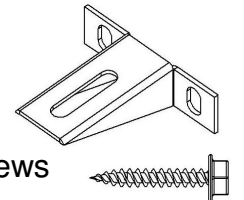
CAUTION: Do not try to lift or flip furniture components with only one person. Components may be heavy and awkward to handle, and may result in injury to persons or damage to property if not lifted properly.

Tools Required

5/16" Wrench or Flat Head Screwdriver
Phillips Screwdriver
Safety Glasses

Parts List

Pedestal Base Assembly (approx. 86 lbs.)
Table Top (approx. 120 lbs.)
(4) "L" Brackets
(12) #12 x 1" Self Tapping Hex Head Screws



✓ Check that all items listed in the Parts List are in your carton.

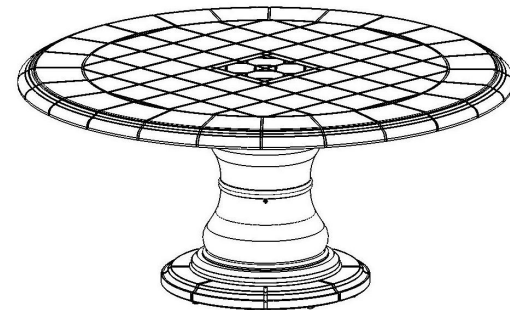
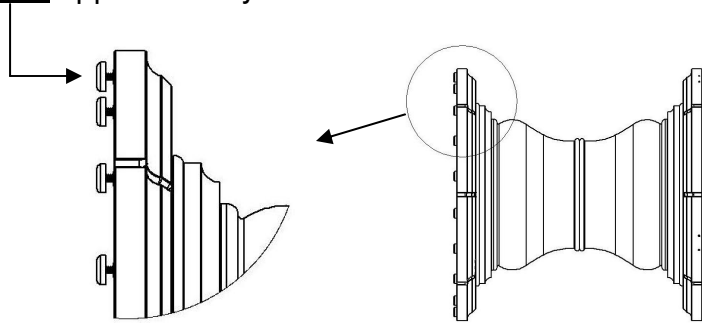


Table Top & Base Assembly

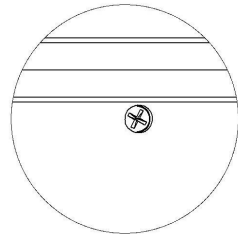
Step 1

Assembled table is heavy; put it together at place of use. With two persons, lay the Pedestal Base Assembly on its side on the carton or on a tarp or pool towels. Loosen the ten (10) glides approximately the same number of threads.



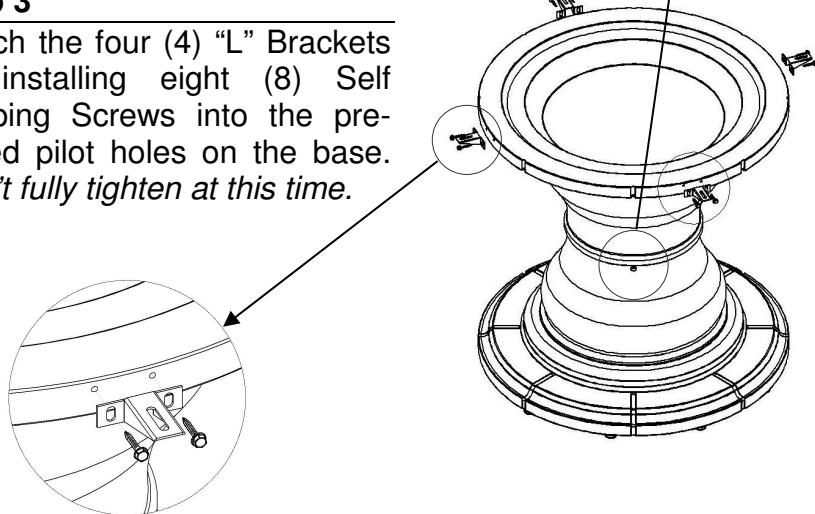
Step 2

With two persons, tilt the Pedestal Base upright. Position the Umbrella Security Screw for appearance and ease of access. Adjust glides to level the base and prevent wobbling.



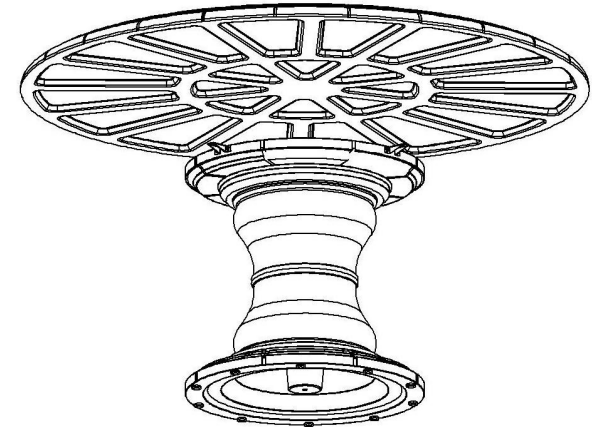
Step 3

Attach the four (4) "L" Brackets by installing eight (8) Self Tapping Screws into the pre-drilled pilot holes on the base. *Don't fully tighten at this time.*



Step 4

With two persons, lift the Table Top onto the Pedestal Base and align the Table Top. The raised circular area on the underside of the top must be aligned with the base.



Step 5

Attach the Table Top by installing the four (4) remaining screws through the "L" Brackets (4 places). The second person may need to press down on the top. Fully tighten all three screws at each bracket (12 places).

