

## Travertine Tables & KD Scroll Bases Base Assembly and Top Attachment

840838SWB	840867SWB	840896SWB	
840848SWB	840886SWB	840898SWB	
TV27S	TV5034	TV55RU	TV9648OU

Congratulations on the purchase of your Tropitone furniture. Read through all steps before starting assembly.

**CAUTION:** Do not try to lift or flip components with only one person. Components may be heavy and awkward to handle, and may result in injury to persons or damage to property if not lifted properly.

### Tools Required

5/16" Wrench	1/8" Drill Bit (with masking tape at 3/4" depth)
7/16" Wrench	Power Drill
1/2" Wrench	Safety Glasses
Permanent Marker	

### End Table (22" Ht.) Parts List

(4) Table Legs	(1) 27" Square Table Top
(1) Leg Brace	

### Coffee Table (18" Ht.) Parts List

(4) Table Legs	(1) Upper Brace
(1) Leg Brace	(1) 50"x34" Table Top

### Dining (28" Ht.), Bar (39" Ht.) and Chat (24" Ht.) Table Parts List

(4) Table Legs	(1) Table Top: 55" Round or 96"x48" Oval
(1) Leg Brace	(2) Support Arms (96"x48" dining only)
(1) Top Ring	

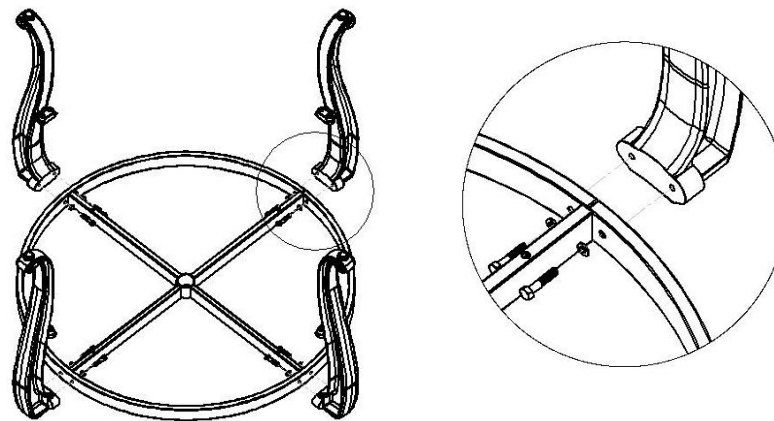
- ✓ Base hardware is screwed into place in the legs.
- ✓ Table top hardware is included in a bag with the top.
- ✓ Use the shipping carton, pool towels or a tarp to prepare a smooth, non-scratch work surface.

## Dining, Bar and Chat Tables

**Don't fully tighten the bolts until Top Attachment Step 4.**

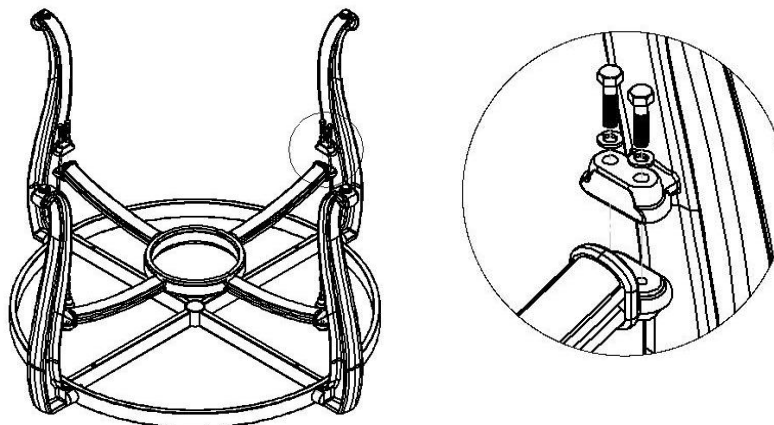
### Step 1

Place the Top Ring on the prepared work surface. The oval table ring must be upside down so the top attachment tabs face down (see picture in Step 3). Attach the Table Legs with bolts and split washers; hand tighten only (4 places).



### Step 2

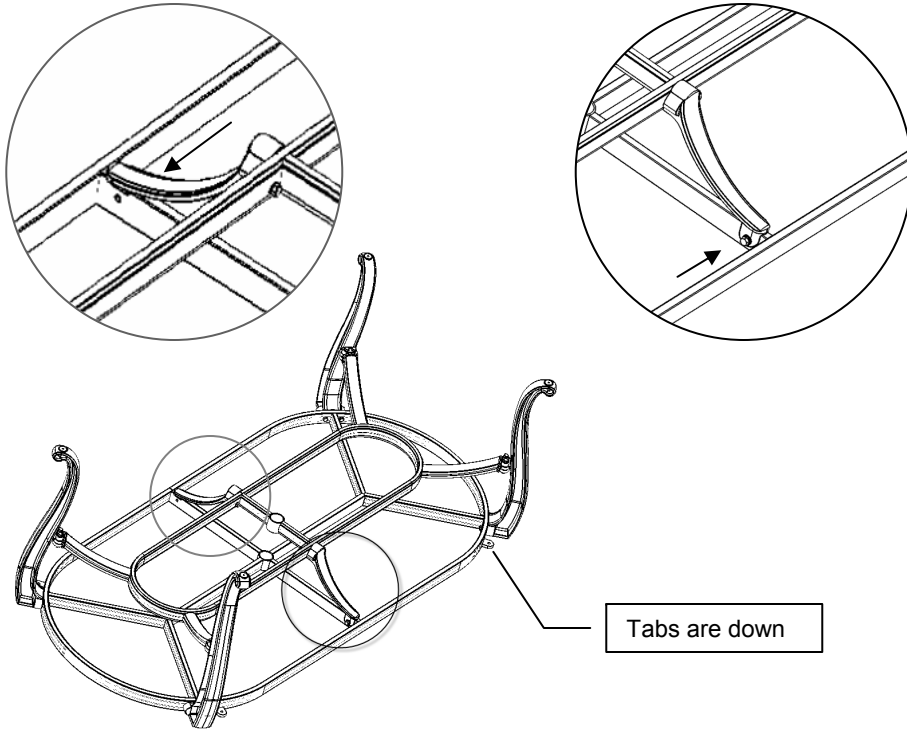
Invert the Leg Brace so that it will arch towards the bottom of the table top (arching upwards when upright). Attach the Leg Brace to the Table Legs with bolts and split washers; hand tighten only (4 places).



### Step 3 96"x48" Oval Dining Only

---

Attach the Support Arms to the Top Ring and to the Leg Brace with bolts and split washers; hand tighten only (4 places).



Go to Top Attachment section.

### End Table (Base is assembled upright)

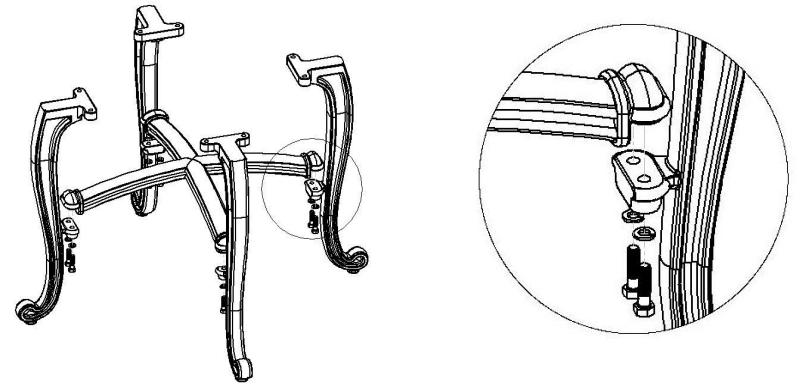
*Don't fully tighten the bolts until Top Attachment Step 4.*

#### Step 1

---

On the prepared work surface, place the Leg Brace onto the mount on one Table Leg with the Leg Brace arching upwards. Install the bolts with split washers; hand tighten only.

Repeat for the remaining three legs; hand tighten only.



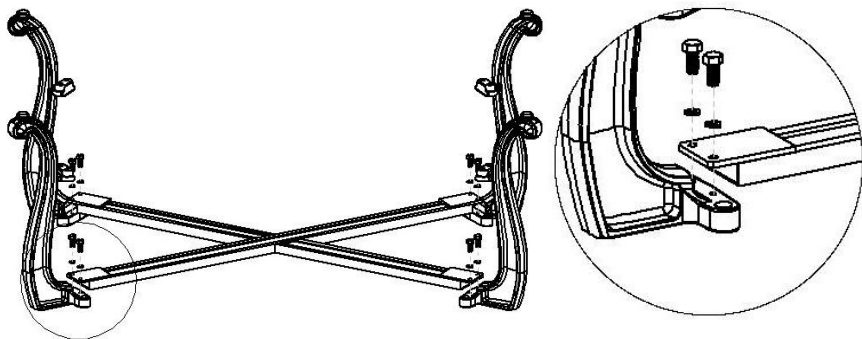
Go to Top Attachment section.

## Coffee Table

**Don't fully tighten the bolts until Top Attachment Step 4.**

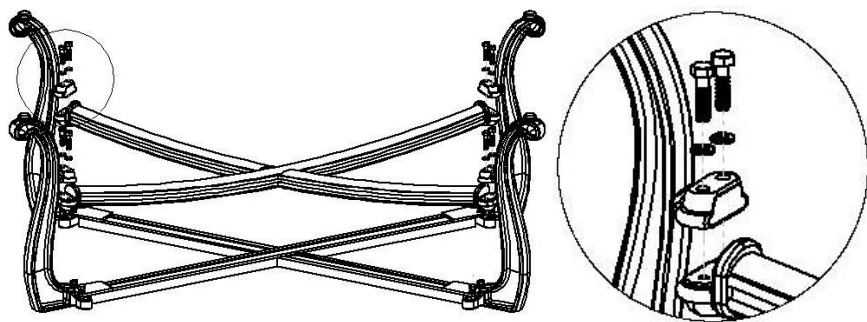
### Step 1

Place the Upper Brace upside down on the prepared work surface. Attach the Table Legs with bolts and split washers; hand tighten only (4 places).



### Step 2

Invert the Leg Brace so that it will arch towards the bottom of the table top (arching upwards when upright). Attach the Leg Brace to the Table Legs with bolts and split washers; hand tighten only (4 places).



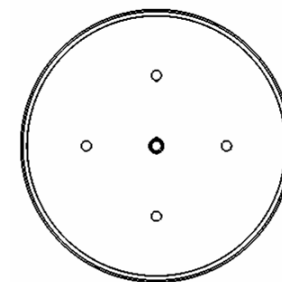
**Go to Top Attachment section.**

## Top Attachment

### Step 1

**Assembled tables are very heavy.  
Put together at place of use.**

Using two or more persons, place Table Top upside down on the prepared work surface. Observe the circle marks that indicate internal mounting pads to capture the screws (4 or 8 places).



### Step 2

Using two or more persons, place assembled Table Base upside down on the Table Top. Align the base mounting holes to the mounting pad marks. Insure the base is centered on the top.

For tops with an umbrella hole, carefully align the base umbrella support ring to the top umbrella hole.

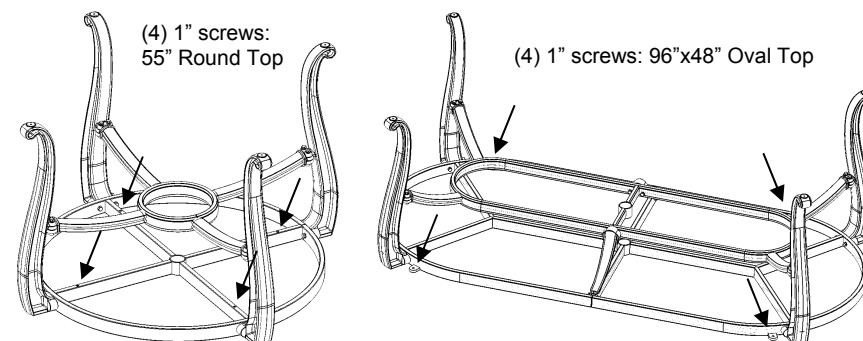
For rectangular, oval and square tables, insure the base is aligned straight to the table top edges.

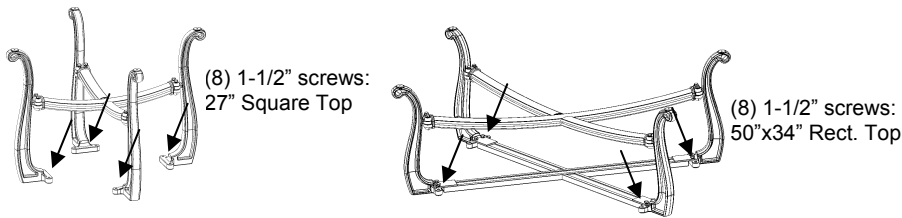
### Step 3

Use a permanent marker to mark on the top to indicate the screw mount locations (4 or 8 places). Using two or more persons, remove the Table Base and place on the prepared work surface.

Drill 1/8" pilot holes 3/4" deep into the table top at each of the marked screw mount locations (4 or 8 places). Using two or more persons, replace the Table Base onto the Table Top (confirm the alignment in Step 2 above).

Screw the base to the top (4 or 8 places) using the #12 screws. Fully tighten all the screws using the 5/16" wrench.

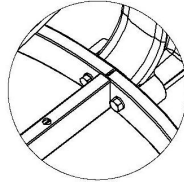




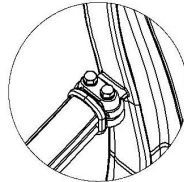
*Tropitone*  
Indoor Style, Outdoor Furniture

### Step 4A Dining Tables

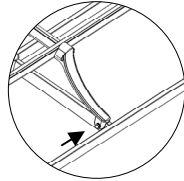
Using the 1/2" wrench, fully tighten the Table Legs to the Top Ring (4 places).



Using the 1/2" wrench, fully tighten the Table Legs to the Leg Brace (4 places).

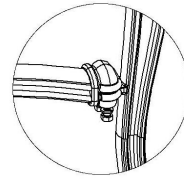


Using the 1/2" wrench, fully tighten the bolts connecting the Support Arms to the Top Ring and to the Leg Brace (4 places).



### Step 4B End Table

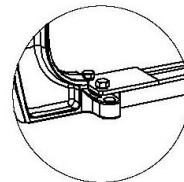
Using the 1/2" wrench, fully tighten the bolts connecting the Table Legs to the Leg Brace (4 places).



### Step 4C Coffee Table

Using the 7/16" wrench, fully tighten the Table Legs to the Upper Brace (4 places).

Using the 1/2" wrench, fully tighten the Leg Brace to the Table Legs (4 places).



### Step 5

**Caution: Lift with your legs, not your back!** Your table is now fully assembled and ready for two or more persons to lift into an upright position. While on the prepared work surface, lift the table by lifting the top (not the legs) until the top is vertical. Hold **both** the top and base and lift the table into an upright position. Move the table into final position by lifting the base (not the top).



### MORE INFORMATION

See Natural Stone Cleaning and Natural Stone Sealing in the Safety, Care, Maintenance and Warranty Information guide included with your furniture and available at [www.tropitone.com](http://www.tropitone.com) – click on Product Care.

Additional care information, “How To” videos (including Table Assembly), pictures of glides and end caps, and assembly instructions for Tropitone Outdoor Furniture and Basta Sole Umbrellas are also available at our website.

If you have difficulty understanding any of the instructions and need assistance while assembling your furniture together, please call Tropitone’s Customer Service Center at 949-951-2010.

Tropitone Furniture Co., Inc.  
5 Marconi, Irvine, CA 92618  
949 951 2010 phone  
[www.tropitone.com](http://www.tropitone.com)

Part # R9T0003  
Revised: 041309  
©2009 Tropitone Furniture Co., Inc.