



Assembled tables are very heavy. Put together at place of use.



Loggia Table Assembly

890851B
TV2822

890853B
TV4434

890886B
TV42SU

Congratulations on the purchase of your Tropitone furniture. Read through all steps before starting assembly.

CAUTION: Do not try to lift or flip components with only one person. Components may be heavy and awkward to handle, and may result in injury to persons or damage to property if not lifted properly.

MORE INFORMATION

See Natural Stone Cleaning and Natural Stone Sealing in the Safety, Care, Maintenance and Warranty Information guide included with your furniture and available at www.tropitone.com – click on Product Care.

Additional care information, “How To” videos (including Table Assembly), pictures of glides and end caps, and assembly instructions for Tropitone Outdoor Furniture and Basta Sole Umbrellas are also available at our website.

If you have difficulty understanding any of the instructions and need assistance while assembling your furniture together, please call Tropitone’s Customer Service Center at 949-951-2010.

Tools Required

5/16” Wrench	1/8” Drill Bit (with masking tape at 1/2” depth)
Permanent Marker	Power Drill
Q-Tip® Ear Swap	Safety Glasses
Tape Measure	

End Table & Coffee Table Parts List

Table Top	(4) #12 x 3/4” Screws
Table Base	

Chat Table Parts List

Table Top	(6) #12 x 1-1/2” Screws
Table Base	

- ✓ Table top hardware is included in a plastic bag with the top.
- ✓ Use the shipping carton, pool towels or a tarp to prepare a smooth, non-scratch work surface.

Tropitone Furniture Co., Inc.
5 Marconi, Irvine, CA 92618

949 951 2010 phone
www.tropitone.com

Part # R9T0700
Revised: 051109
©2009 Tropitone Furniture Co., Inc.

End and Coffee Tables

Step 1

Assembled tables are very heavy. Put together at place of use.

Using two or more persons, place the Table Top into the Table Base with the Base right-side up. Center the Top within the rails and center the ends to the Base.

On the underside of the top, use the permanent marker to mark all the screw holes in the mounting tabs and trace the mounting tabs (4 places).

Using two or more persons, remove the Top and place it upside down onto the prepared work surface.

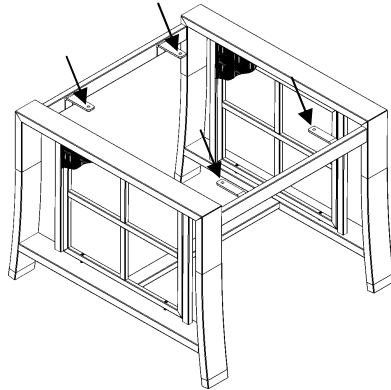
Step 2

Drill 1/8" pilot holes 1/2" deep into the table top at each of the marked screw mount locations (4 places). Remove the drilled shavings.

Using two or more persons, place the Table Base upside down on the Table Top. Align the Base to your markings on the Top. Screw the Base to the Top (4 places) using the #12 x 3/4" screws. Fully tighten the screws using the 5/16" wrench.

Step 3

Caution: Lift with your legs, not your back! Your table is now fully assembled and ready for two or more persons to lift into an upright position. While on the prepared work surface, lift the table by lifting the top (not the legs) until the top is vertical. Lift the table into an upright position.



Chat Table

Step 1

Assembled tables are very heavy. Put together at place of use.

Using two or more persons, place Table Top upside down onto the prepared work surface.

Using two or more persons, place the Table Base upside down on the Table Top.

Step 2

Use the tape measure to center and square the Base on the Top. Use the permanent marker to mark the Base position of the frame at the corners on the underside of the Top.

Use the marker to saturate the tip of a Q-Tip® ear swab with ink. Insert the Q-Tip® through the screw hole and twist it to make a mark on the Top to indicate where to drill. Repeat for each hole, applying fresh marker to the Q-Tip® each time (6 places).

Using two or more persons, remove the Table Base and place on the prepared work surface.

Step 3

Drill 1/8" pilot holes 1/2" deep into the table top at each of the marked screw locations (6 places). Remove the drilled shavings. Using two or more persons, replace the Table Base onto the Table Top (confirm the alignment in Step 2 above).

Screw the base to the top (6 places) using the #12 x 1-1/2" screws. Fully tighten all the screws using the 5/16" wrench.

Step 4

Caution: Lift with your legs, not your back! Your table is now fully assembled and ready for two or more persons to lift into an upright position. While on the prepared work surface, lift the table by lifting the top (not the legs) until the top is vertical. Lift the table into an upright position.

