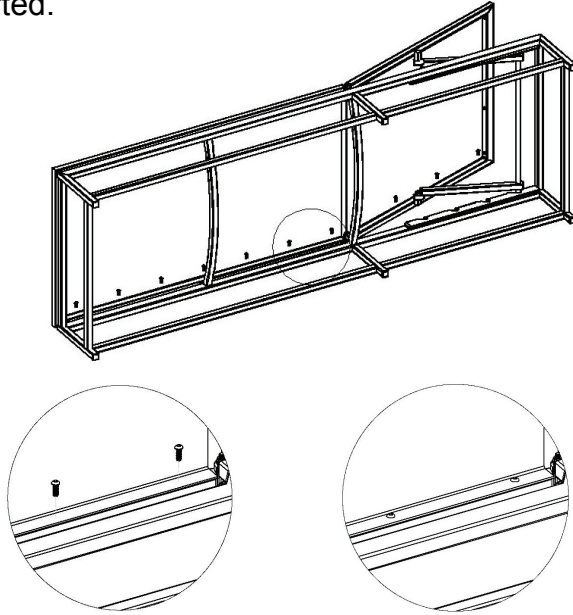


Step 5

Verify the tape is removed. Screws must be installed underneath the sling. With the Velcro facing up, use the screws to install the new slings into the bed and headrest of the chaise. Don't fully tighten the screws until all 30 screws are inserted.



Step 6

Confirm the screws are fully tightened.

Re-install the cushion making sure the Velcro is securing the cushion to the sling. The cushion must be used due to the Velcro attachment points on the sling.

If you have difficulty understanding any of the instructions and need assistance while assembling your furniture, please call Tropitone's Customer Service Center at 949-951-2010.

Tropitone Furniture Co., Inc.
5 Marconi, Irvine, CA 92618

949 951 2010 phone
www.tropitone.com

Part # R9T00001
Revised: 093008
©2009 Tropitone Furniture Co., Inc.

Tropitone
Indoor Style, Outdoor Furniture

Cabana Club 520732 Chaise Lounge Sling Replacement Instructions

Congratulations on the purchase of your Tropitone furniture. Read through all steps before starting sling replacement.

CAUTION: Do not try to lift or flip components with only one person. Components may be heavy and awkward to handle, and may result in injury to persons or damage to property if not lifted properly.

Tools Required

Philips Screwdriver
Awl or Common Nail

Masking Tape
Safety Glasses

Parts List

Replacement Sling Set (Headrest and Bed pieces)
Shipping Box (retain to use as work surface)



Step 1

Prepare a smooth, non-scratch surface (a tarp or pool towels can be placed on your work surface).

Remove the cushion from the chaise lounge and place it on a clean and dry surface.

With two persons, place the chaise on its side as shown below onto the prepared work surface.

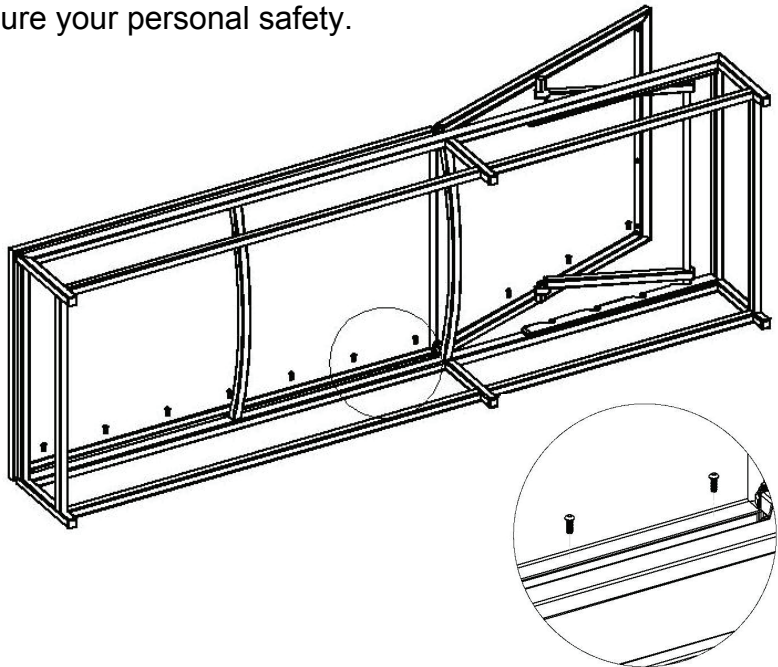
Step 2

Using the Philips screwdriver, remove the sling mounting screws at 12 places in the headrest and 18 places in the bed. Place the removed headrest and bed slings flat on your prepared work surface.

Retain the 30 screws for use in the new sling.

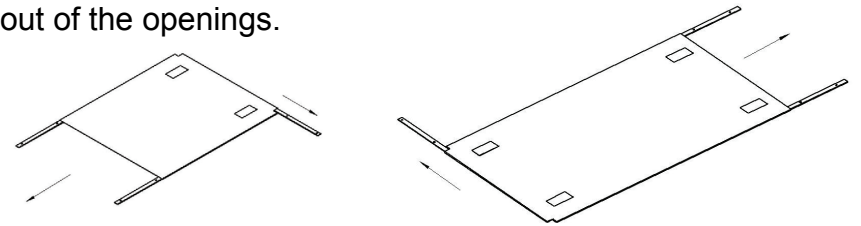
Caution: Be careful not to damage the sling insert bars (stainless steel) as they will be used to install the new sling.

Warning! Be careful when handling the sling insert bars to ensure your personal safety.

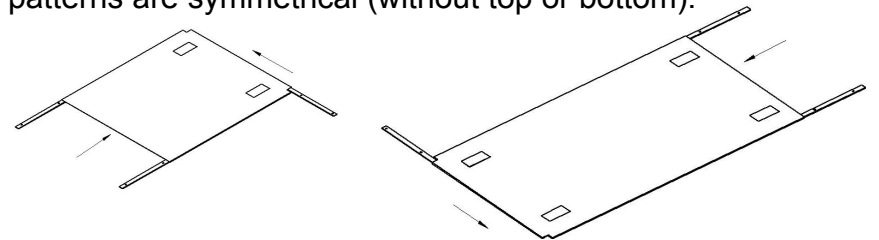


Step 3

Carefully remove the sling insert bars by pushing the bars out of the openings.



Place the new slings on your prepared work surface with the Velcro surface up. Carefully install the sling insert bars into the new slings. **Hint:** Short, medium and long bars are inserted into the proper slot on the new slings; the hole patterns are symmetrical (without top or bottom).



Step 4

Ensure the sling insert bars are fully inserted and not protruding from either end of the sling. Use masking tape to secure bars in place so they cannot slip within the sling.

Place the slings on the retained shipping box so the awl can poke into the box. **Warning! Don't poke into your finger.** Locate the mounting holes in each bar by feel and use the awl or common nail to punch through both sides of the sling. The punched holes must be smaller than the 1/4" holes in the sling insert bars.

Holes must be punched at 12 places in the headrest and 18 places in the bed.

Remove the masking tape being careful not to allow the bars to slide and misalign the holes.

