

If you have difficulty understanding any of the instructions and need assistance while fastening your components together, please call Tropitone's Customer Service Center at 949-951-2010.



Mobilis Component Assembly Instructions

Congratulations on the purchase of your Tropitone Mobilis furniture. Read through all steps before fastening components together.

CAUTION: Do not try to lift or flip furniture components with only one person. Components may be heavy and awkward to handle, and may result in injury to persons or damage to property if not lifted properly.

Tools Required

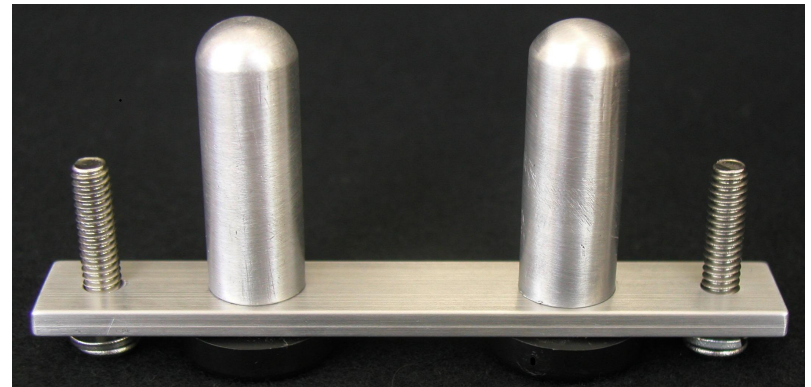
5/32" Hex Key (Allen Wrench)

Parts List

Connector Brackets – 2 each

1/4" Lock Washers – 4 each

1/4" x 1-1/4" Button Head Cap Screws – 4 each



✓ **Check that all items listed in the Parts List are in your carton.**

Tropitone Furniture Co., Inc.
5 Marconi, Irvine, CA 92618

949 951 2010 phone
www.tropitone.com

Part # R9TMCAI
Revised: 110207

Mobilis

Component Assembly Instructions

Step 1

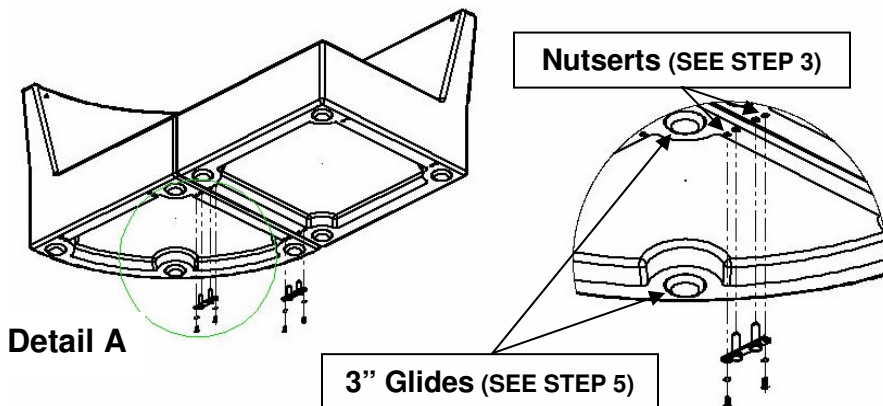
Prepare a smooth, non-scratch surface (a tarp or pool towels can be placed on your work surface) so the components can be placed side-by-side for assembly. With two persons, tilt the components onto their side to allow access to the bottom of the pieces. Insure flat side surfaces are down for stability.

NOTE: When components are being assembled together, two persons are required during assembly, with the helper holding the furniture components stable. This is especially critical when three (3) or more parts are being assembled into a non-linear configuration.

Step 2

Locate and align the predrilled holes on the underside of the components that are to be joined. Fully insert the connector bracket posts into adjoining holes. Insure the bracket is even to the bottom of the both components. See Detail A in the diagram below. Repeat for the second bracket.

DO NOT INSERT THE SCREWS UNTIL STEP 3!



Step 3

With the connector brackets even to the bottom of the both components, insert a button head cap screw with a lock washer through the connector bracket and hand tighten into the nutsert (see Step 2 diagram Detail A). Screw straight into each nutsert or you will cross thread the screw and may pull out the nutsert. Repeat with the remaining lock washers and button head cap screws, until all four screws with washers are inserted and hand tightened. *Don't fully tighten the screws until step 4.*

Step 4

Tighten all four button head cap screws with the 5/32" hex key (Allen wrench). *DO NOT over tighten the screws; tighten only until the lock washer just flattens.*

Step 5

Your furniture should now be fully assembled and ready for two persons to gently tilt into an upright position. Move the assembled furniture to its place of use and level by adjusting the large 3" glides (see Step 2 diagram Detail A).

NOTE: If four (4) or more components are being fastened together, Tropitone recommends the components are assembled in pairs, then assemble the pairs together. Again, it is especially critical that two persons work together when three (3) or more parts are being assembled into a non-linear configuration, with the helper holding the furniture components stable.

Step 6

Place and snap the cushions onto each furniture component, add the bolsters (optional), and enjoy!