

TROPITONE®

TROPITONE®

*Assembled furniture
is heavy. Assemble
at place of use.*



Platform Collection Component Assembly Instructions

Congratulations on the purchase of your Tropitone Platform Collection. Read through all steps before fastening components together.

CAUTION: Do not try to lift or flip furniture components with only one person. Components may be heavy and awkward to handle, and may result in injury to persons or damage to property if not lifted properly.

Tools Required

3/16" Hex Key

Safety Glasses

Parts List

- (2) Connector Plates (example: connecting 2 modules)
- (4) 1/4-20 x 1" Socket Head Cap Screws
- (4) 1/4" Flat Washers
- (4) 1/4" Lock Washers

- ✓ Check that all items listed in the Parts List are in your carton.

For additional Platform assembly and product care instructions, see www.tropitone.com and select Product Care.

- ✓ Tropitone Cleaning and Care

If you have difficulty understanding any of the instructions and need assistance while fastening your components together, please call Tropitone's Customer Service Center at 949-951-2010.



Tropitone Furniture Co., Inc.
5 Marconi, Irvine, CA 92618

949 951 2010 phone
www.tropitone.com

Part # R9T00061
Revised: 10.14.2022
©2022 Tropitone Furniture Co., Inc.

Step 1

Components can be assembled in upright position by reaching under frame members. Proceed to next step.

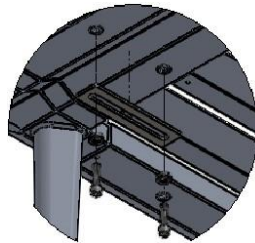
OR

Prepare a smooth, non-scratch surface (a tarp or pool towels can be placed on your work surface) so the components can be placed side-by-side for assembly. With two persons, tilt the components onto their side to allow access to the bottom of the pieces. Ensure flat side surfaces are down for stability and the helper is holding the furniture components stable.

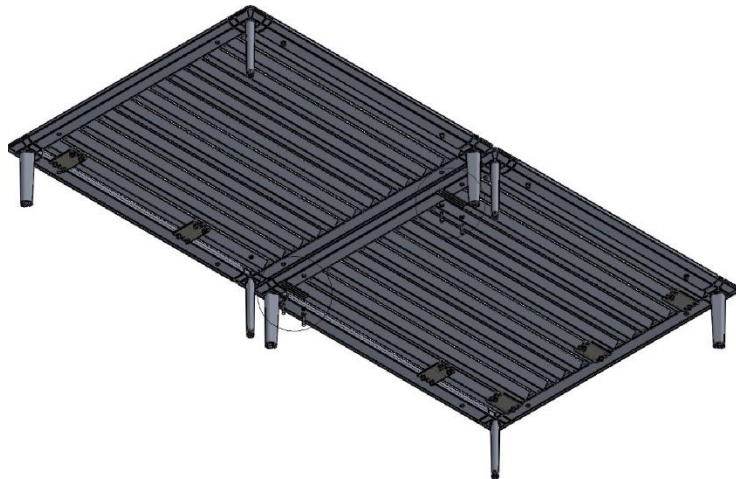
NOTE: If three (3) or more components are being fastened together, the components should be assembled in an upright orientation. This is especially critical when components are being assembled into a non-linear configuration.

Step 2

Using a 1/4-20 x 1" socket head cap bolt with 1/4" flat washer and 1/4" lock washer, attach a connector plate through the slotted hole into one furniture component. Tighten the screw hand tight so the plate can swing.



Repeat with the other connector plate.



Step 3

Swing the connector plates so the slotted hole overlaps the drilled hole. Install a socket head cap bolt with flat washer and lock washer into the second furniture component – hand-tighten both socket head cap bolts.

Repeat with the other connector plate.

Fully tighten bolts with the 3/16" hex key (4 places).

Step 4

Repeat Step 2 and Step 3 for each additional furniture component until all components are fastened together into the desired configuration.

Step 5

If components are in upright position, proceed to next step.

OR

Your furniture should now be fully assembled and ready to tilt into an upright position. It is especially critical two or more persons tilt assembled furniture into the upright position to prevent injury or damage to furniture.

Step 6

Place the seat cushions with zipper down (Velcro on boxing facing the back) onto each furniture component. Wrap the bottom straps around the seat deck slats and secure the Velcro ends. Attach the back pillow Velcro strap to the corresponding Velcro on the rear boxing of the seat cushion.

Add the optional throw pillows and bolsters, then enjoy!