

Tropitone®



MORE INFORMATION

For care and cleaning instructions, refer to the Tropitone® Care, Maintenance, Safety & Warranty Information guide included with your furniture and available at www.tropitone.com/warranty.

Additional care information, “How To” videos and assembly instructions for Tropitone® Outdoor Furniture and Basta Sole® shade products are also available at our website.

If you have difficulty understanding any of the instructions and need assistance while assembling your Service Flag, please call Tropitone’s Customer Service Center at 949-951-2010.

Tropitone Furniture Co., Inc.
5 Marconi, Irvine, CA 92618

949 951 2010 phone
www.tropitone.com

Part # R9TSRVCLAG
Revised: 12.10.2013
©2013 Tropitone Furniture Co., Inc.

Tropitone®

Service Flag Assembly Instructions

Congratulations on the purchase of your Tropitone® Service Flag. Read through all steps before fastening components together.

WARNING: Do not try to lift or flip components with only one person. Components may be heavy and awkward to handle, and may result in injury to persons or damage to property if not lifted properly.

CAUTION: When instructed to fully tighten screws, do not over tighten and strip the threads.

- ✓ Read through all steps before starting assembly.
- ✓ Completely unpack all boxes and thoroughly check for items that may be individually wrapped.
- ✓ Check that all items listed in the Parts List are in your cartons.

Tools Required

3/16” Hex Key

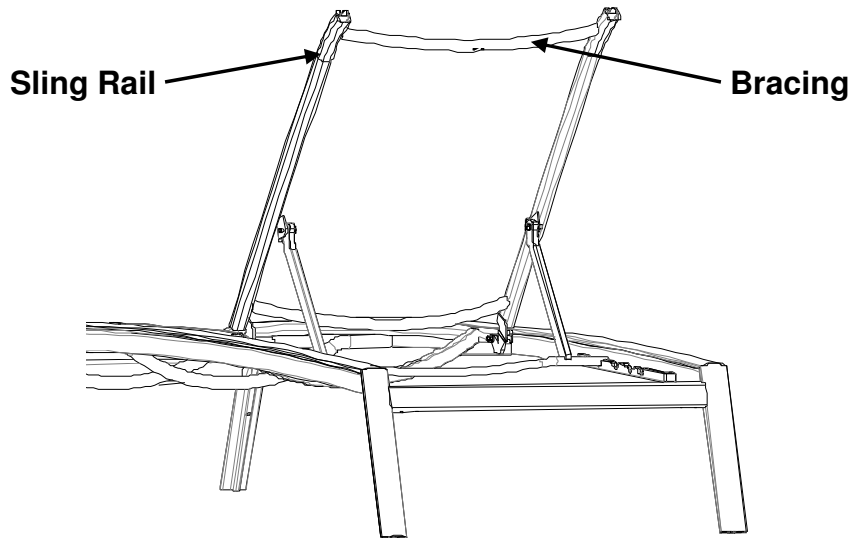
Service Flag Parts List

- | | |
|------------------------------|--|
| (1) Assembled Service Flag | (2) 1/4-20 x 1” Socket Head Cap Screws |
| (1) Sling Rail Support | |
| (1) Round Sling Rail Adaptor | |

Step 1

Locate the top end of the back of the item that you will be installing the Service Flag to.

With the back of your item in the full up position (if adjustable), as shown in the illustration, determine the shape of aluminum Sling Rail (Square or Round) that was used for the back by looking at the end of the aluminum Sling Rail at the top end of the back.



Step 2

First place the Service Flag Assembly against the outside of the Sling Rail.

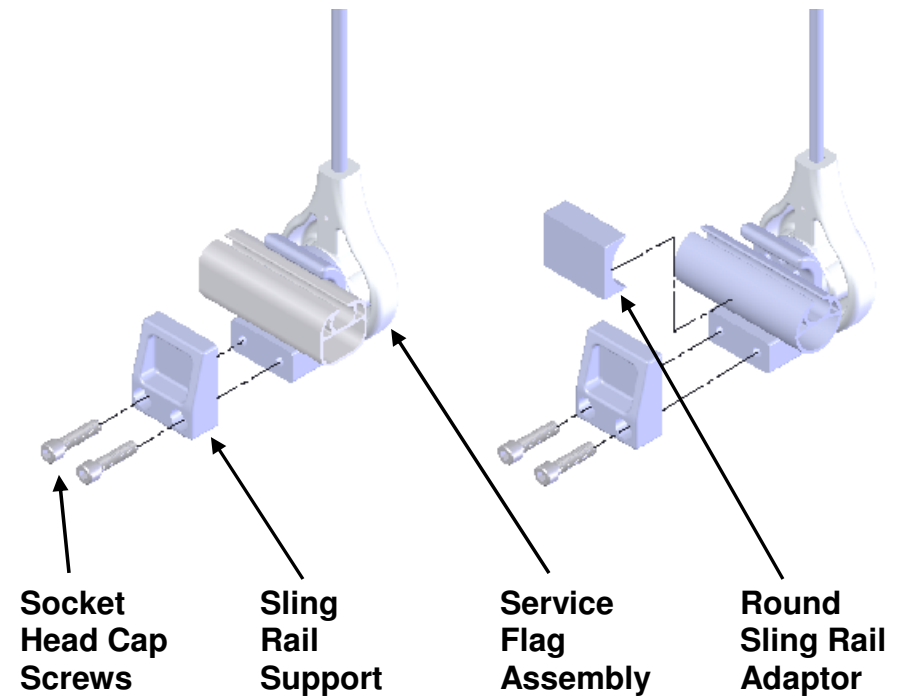
Next place the Round Sling Rail Adaptor (Round Sling Rail only) against the inside of the Sling Rail being sure that the adaptor is aligned with the bracket on the Service Flag Assembly. Next, place the Sling Rail Support against the Round Sling Rail Adaptor (Round Sling Rail only), or against the inside of the Sling Rail (Square Sling Rail only).

Insert and fully tighten (2) Socket Head Cap Screws using a 3/16" Hex Key.

Install the Service Flag as close to the top end of the back being careful not to interfere with bracing on the back as shown in the illustration in **Step 1**.

Square

Round



Step 3

Adjust your Service Flag to the desired position by gently rotating the Service Flag Assembly.