



FIRE PIT INSTALLATION AND OPERATING INSTRUCTIONS

FOR MODELS 401100, 401154FP, 401158FP, 800154FP, 820649FP

**INSTALLER: THIS MANUAL MUST BE LEFT WITH THE APPLIANCE.
CONSUMER: KEEP THIS MANUAL FOR FUTURE REFERENCE.**



WARNING

Improper installation, adjustment, alteration, service, or maintenance can cause severe injury or death and may result in property damage. Read these installation, operating and maintenance instructions thoroughly before installing or servicing this equipment.



WARNING

Do not store or use gasoline or other flammable vapors or liquids in or near this or any other appliance.

An LP (Liquefied Petroleum) tank that is not connected for use shall not be stored in or near this or any other appliance.



DANGER

If you smell gas:

Shut off gas to the appliance.

Extinguish any open flame.

If odor continues, keep away from appliance and immediately call gas supplier and fire department.



WARNING

For Outdoor Use Only !

INSTALLATION

Tropitone recommends that all gas products be installed by professionals that are licensed by the local authority having jurisdiction in gas piping.



MAINTENANCE

Tropitone recommends that all gas products installed in the USA and CANADA be serviced and maintained by professionals that are certified by the National Fireplace Institute (NFI) as NFI Gas Specialist or by the Wood Energy Technical Training (WETT).

**INSTALLER: THIS MANUAL MUST BE LEFT WITH THE APPLIANCE.
CONSUMER: KEEP THIS MANUAL FOR FUTURE REFERENCE.**



Follow the instructions in this manual carefully to reduce the risk of personal injury, death or property loss.

 DANGER	<p style="text-align: center;">CARBON MONOXIDE HAZARD</p> <p>This appliance can produce carbon monoxide which has no odor.</p> <p>Using it in an enclosed space can cause death.</p> <p>Never use this appliance in an enclosed space such as camper, tent, car, or home.</p>
	

Some information listed in this manual has headings which have been highlighted In order to assist you in identify critical pieces of information. They can be identified as follows:



WARNING Contains information critical to the safe installation and operation of the unit.



DANGER Contains information critical to the safety of you, your personal property and others around this product.



IMPORTANT Contains information that will help you to have the most enjoyable experience with this unit and maintain serviceability.



WARNING It is the installer's responsibility to ensure this product has been installed in accordance with the local codes applicable and that the end user has been educated on the safe and proper operation of the unit.



WARNING Tropitone recommends that all gas products installed in the USA and CANADA be serviced and maintained by professionals that are certified by the National Fireplace Institute (NFI) as NFI Gas Specialist or by the Wood Energy Technical Training (WETT).

**DANGER**

This product is not intended to be used as a starter for wood or any other combustible material.

**WARNING**

It is the installer's responsibility to ensure this product has been installed in accordance with all the local codes applicable. In the absence of local codes, please follow:

- For Fixed Piping Systems: *The National Fuel Gas Code, ANSI Z223.1/NFPA 54 or the International Fuel Gas Code.*
- For Electrical: *The National Electrical Code, ANSI/NFPA 70.*

**WARNING**

Use only the gas or fuel type specified for this unit. See the label near the controls. Verify the gas or fuel is correct and the proper pressure available. NEVER use an alternative fuel, including bio-fuel, ethanol, or any other fuel type with this unit.

The proper pressure and gas type must be checked prior to installation. A 1/8" NPT test port is provided at the burner assembly connection beneath the burner tray.

- LP Gas:
- Supply Pressure: Minimum 8.0" WC (water column), Maximum 15.0" WC
- Outlet Pressure : Minimum 10.0" WC, Maximum 12.0" WC

**DANGER**

All Fire Pits are designed and intended for outdoor use only. Never install or operate indoors. Burning gas (both Natural and LP) produces fumes which can be dangerous if inhaled. Always insure there is proper ventilation when using any fire products.

**DANGER**

All Fire Pits are designed and intended for outdoor use only. Never install or operate indoors. Burning gas (both Natural and LP) produces very high temperatures. Always insure all combustible materials are kept far enough away to prevent accidental ignition.

**IMPORTANT**

When selecting a location for this product, insure that there is at least 48" clearance to access the controls and the gas tank on LP units. Any guard or other protective device removed for servicing must be replaced prior to operating the appliance.

**WARNING**

Never leave this product on when unattended. Educate all persons, including children that may come in contact with this unit of the danger of high temperatures produced when operating, including surface temperatures. Clothing and other flammable materials should not be hung from the appliance, or placed on or near the appliance. Young children should be carefully supervised when they are in the area of the appliance.

**IMPORTANT**

It is recommended that material such as granite, marble or other dense stone be kept away from heat and flame due to the risk of cracking. Tropitone will not be held responsible for materials damaged due to excessive heat.

**DANGER**

Do not install this product under any type of covering, including overhangs, patio covers, umbrellas, cabanas, tree limbs or branches. The risk of fire, inhalation of fumes, and exposure to excessive heat increases greatly if this product is installed under any type of covering, which could result in personal injury, damage to property or death.

**IMPORTANT**

- It is important that the gas line feeding the fire pit if piped is a minimum of 3/4" or larger, based on the distance from the fuel source.
- Choose a location which has proper drainage.
- Choose a location with a minimum clearance of 48" from other structures.

**WARNING**

It is the responsibility of the person installing this unit to test and verify that there are no gas leaks after all connections are made. NEVER test for gas leaks with a flame. Use only a gas leak detector or gas reactant.

**WARNING**

Use only joint compound or tape that is approved for use with all types of gas. Apply to all male pipe fittings only. DO NOT use on FLARED fittings. Be sure all joints are tightened securely before lighting.

**WARNING**

Installation and repair should be done by a qualified service person. The appliance should be inspected before use and at least annually by a qualified service person. More frequent cleaning may be required as necessary. It is imperative that control compartment, burners, and circulating air passageways of the appliance be kept clean.

**DANGER**

When using glass media in a fire pit, use only approved fire glass and insure that there is only enough to hide burner. Applying over 1/2" of any media over the burner may create back pressure which can result in gas leakage from the air mixer. This may result in a dangerous situation which can result in personal injury, damage to property or death.

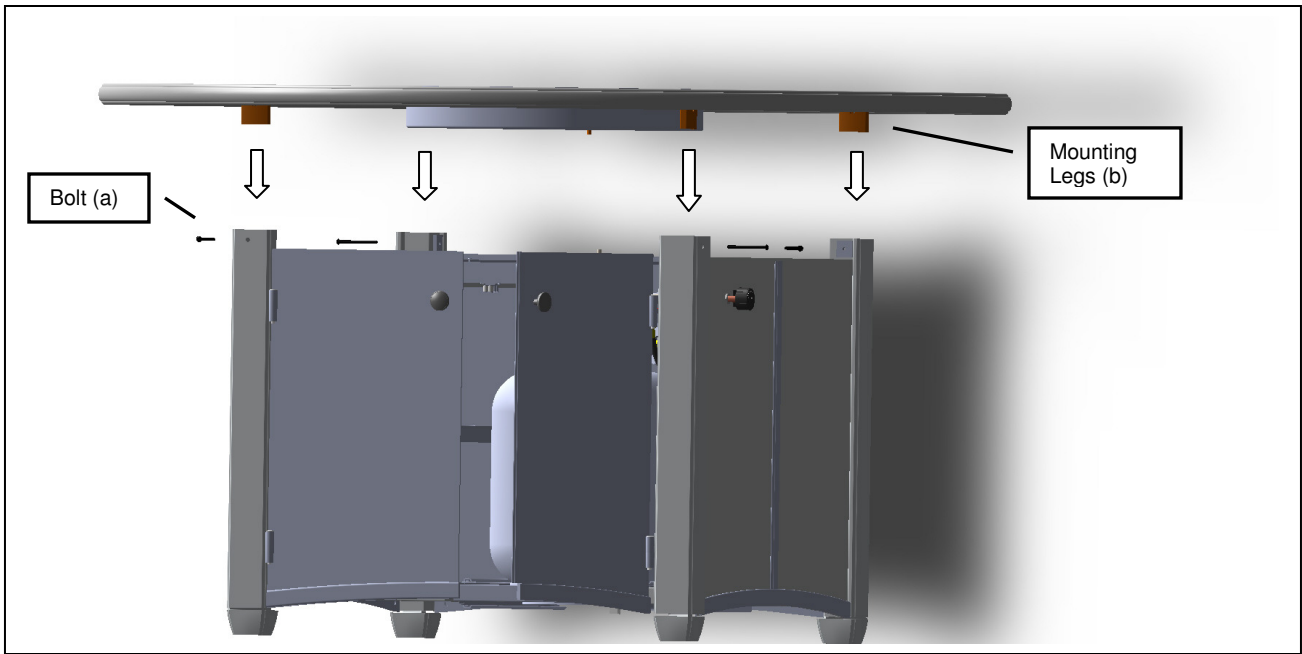
**DANGER**

Do not use this appliance if any part has been under water. Immediately call a qualified service technician to inspect the appliance and replace any part of the control system and any gas control which has been under water.

Before you can enjoy your new Fire Pit, you must install the Table Top assembly on to the Fire Pit base and connect the Burner and Pilot Assembly to the gas valve and controls. These controls are mounted inside the Fire Pit, just to the right of the Gas Tank storage location. You must also connect a 20 gallon Liquid Petroleum (LP) gas tank (sold separately).

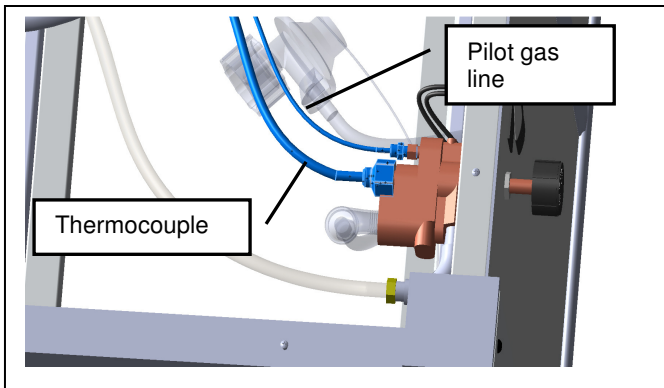
Please read these instructions completely and make sure you understand them before proceeding. Incorrect installation can result in a dangerous situation which can lead to property damage, personal injury, or death.

You need two people to properly and safely install the table top on the Fire Pit. Table tops are awkward to handle and can be heavy. Please exercise caution when installing the table top.



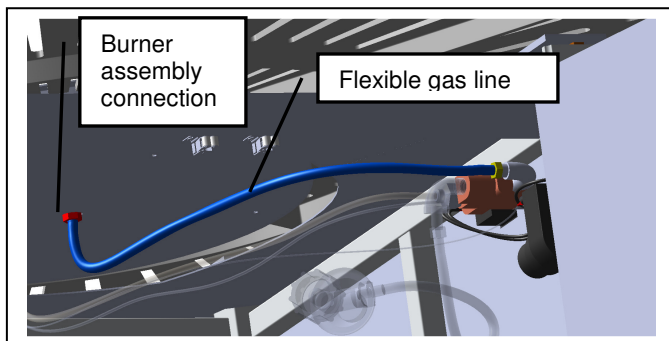
Unpack the table top completely and remove all protective wrap and other packaging. Remove the bolt (a) from the top of each of the four legs of the Fire Pit base and set aside. These will be used for securing your table top to the Fire Pit base.

Using two or more people, place the table top on to the Fire Pit base, aligning all the mounting legs (b) on the bottom of the table top with the openings on the top of the legs of the Fire Pit base. Install the bolts (a) removed in the previous step through the Fire Pit legs to secure the top to the Fire Pit base.



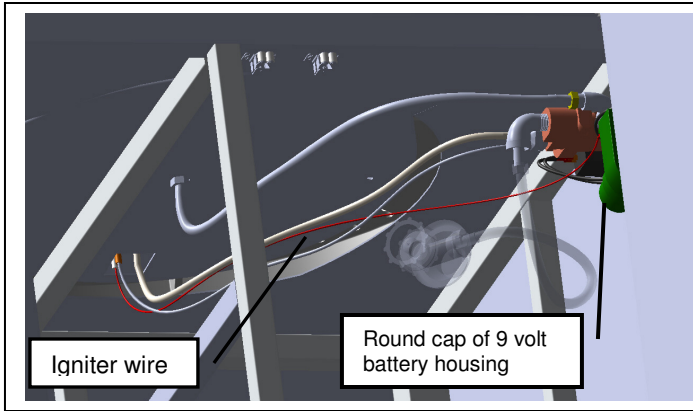
From the bottom of the burner tray assembly, connect the pilot gas line and the thermocouple (both shown in blue) to the gas valve (shown in bronze) as shown.

CAUTION: Use a joint compound or thread tape approved for the type of gas this appliance is intended for, on all male threads EXCEPT compression threads. Never apply thread tape or compound to compression threads.

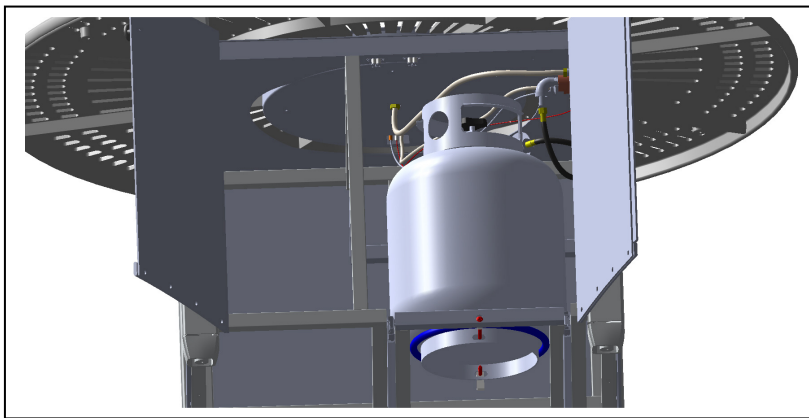


Next connect the flexible gas line (shown in blue) from the elbow on the gas valve (shown in bronze) to the burner assembly (shown in red) as shown.

CAUTION: Use a joint compound or thread tape approved for the type of gas this appliance is intended to use on all male threads EXCEPT compression threads. Never apply thread tape or compound to compression threads.



Now connect the igniter wire (shown in red) to the battery case (shown in green) mounted on the Fire Pit side wall as shown. The spark used to ignite your Fire Pit comes from a 9 volt battery located in this housing. To replace the battery, unscrew the round cap by turning counter-clockwise (left) and pull out the battery. Install new battery and tighten cap completely by turning clockwise (right) to insure a good connection.

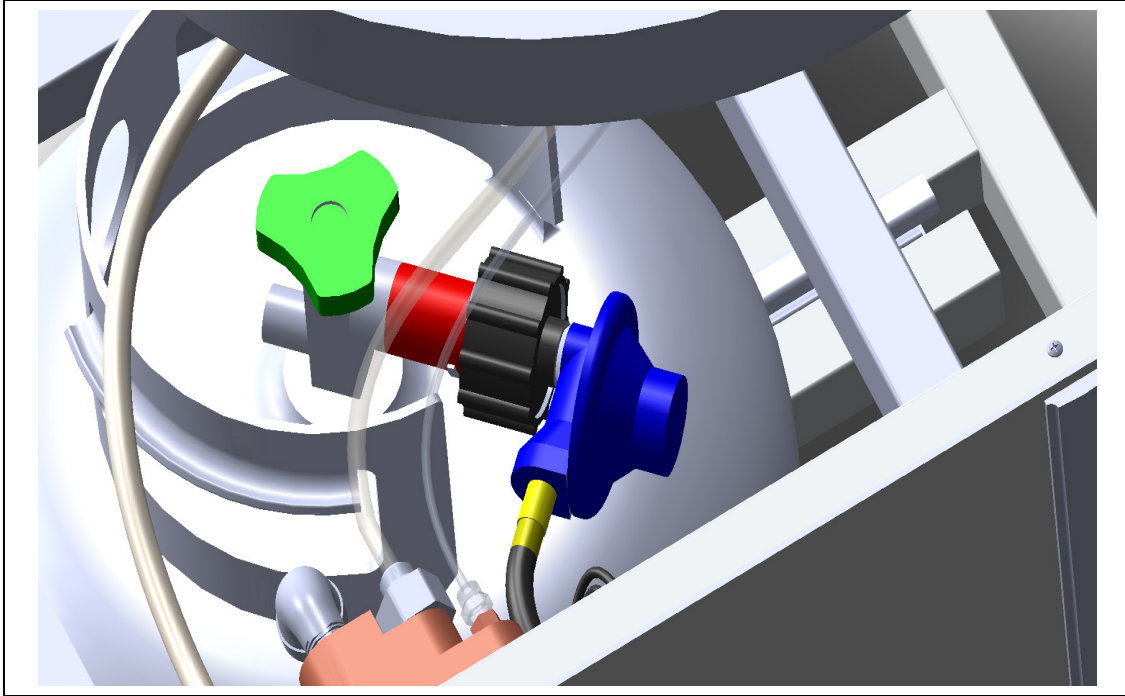


WARNING: The LP Gas tank or cylinder used must comply with the following requirements. Use of other tanks or cylinders which do not meet these requirements may create an unsafe condition which could cause injury or death to you, or damage to your personal property, including the risk of fire or explosion.

The cylinder or tank used must be:

1. Constructed and marked in accordance with the *U. S. Department of Transportation (D.O.T.) Specifications for LP-Gas Cylinders*, or the *Standard for Cylinders, Spheres and Tubes for Transportation of Dangerous Goods and Commission, CAN/CSA-B339* as applicable;
2. Provided with a Listed overfilling prevention device; and
3. Provided with a cylinder connection device compatible with the connection for the appliance.

IMPORTANT: The LP Gas tank must be secured in the fire pit by placing the bottom ring in the tank retaining ring (shown in blue), and securing with the tank retention bolt (shown in red) as shown. It is important that the tank have a base with mounting holes which align with the gas tank retaining bolts provided on this unit.



Once the above connections are made, you can now connect your LP gas tank to the Fire Pit, using the standard propane gas hose with built in regulator (shown in blue) shown. Hand tighten the propane tank gas connector (shown in black), to the tank valve (shown in red). **CAUTION:** Do NOT use tools to tighten this connection. Open the gas valve on the tank by turning the gas valve knob (shown in green) counter-clockwise (to the left) until fully open.

To remove the gas tank, first turn off the gas valve by turning the knob fully clockwise (right), then unscrew the gas connector counter-clockwise (left) and move the gas hose to a secure location to prevent accidental damage. Then loosen the front tank retention bolt to remove from tank retention ring.



WARNING: Inspect the hose and tank connector before each use to insure there is no damage caused by rodents, weather or other conditions. NEVER use any Fire Pit which has any components, including the gas hose or gas tank connector damaged in any way. If you find any damage, turn off the valve on the gas tank and call a licensed repair technician to replace damaged components. Replace any damaged items with components that have the exact same ratings.



WARNING: Before you turn on your Fire Pit for the first time, you must test your connections to insure there are no leaks. Gas from leaking joints can pose a serious threat to your personal property, yourself and others near this Fire Pit. NEVER use a lit match, lighter or other sources of fire to check joints for leaks. Use a gas leak detection kit available from your local home improvement store and follow all directions supplied by the manufacturer.



WARNING: Inspect the burner assembly at least every six (6) months to insure there is no damage before use. Clean your burner, pilot and thermocouple at least every six months to insure proper operation.

FIRE MEDIA INSTALLATION

Please follow the instructions below to add the finishing touch to your Fire Pit. Your Fire Pit needs a fire media in order to get the proper flame characteristics from the burner assembly. The media can be lava rocks, decorative fire glass, fire logs, or other fire media specifically designed for outdoor fire pits and fireplaces.



DANGER Do not block the pilot area or blowout box. Proper air flow is required in order to prevent suffocation and possible gas buildup. Incorrect media installation will cause the pilot flame to suffocate and turn off the fire pit or delay main burner ignition. If the main burner does ignite quickly, gas can build up in the burner tray and ignite violently. Ignition of gas which has built up can create an unsafe condition, and may cause injury or death, and may damage personal property. The deeper your lava rock or glass the more risk of reducing or smothering the flame from the burner.

Lava Rock Only Application

- 1) Install your Fire Pit per instructions.
- 2) Apply lava rock ONLY deep enough to cover ring and pan- less than 2" above fire ring.



- 3) Blow Out Box: Do not cover vents with lava rock-leave open. Do not allow any rock to block flame opening.



Blow Out Box

- 4) Blowout Box: Do not cover blowout box vents or opening with lava rock or glass. Incorrect media installation will cause the pilot flame to suffocate and turn off pit or delay main burner ignition.

Decorative Glass Application

- 1) Install your Fire Pit per instructions.
- 2) Add base layer of lava rock as filler to hide pan and ring. Height should be only slightly above ring.



- 3) Apply top coat of glass to lava rock just deep enough to hide lava rock. Make sure you do NOT cover the Blow Out Box.



Blow Out Box

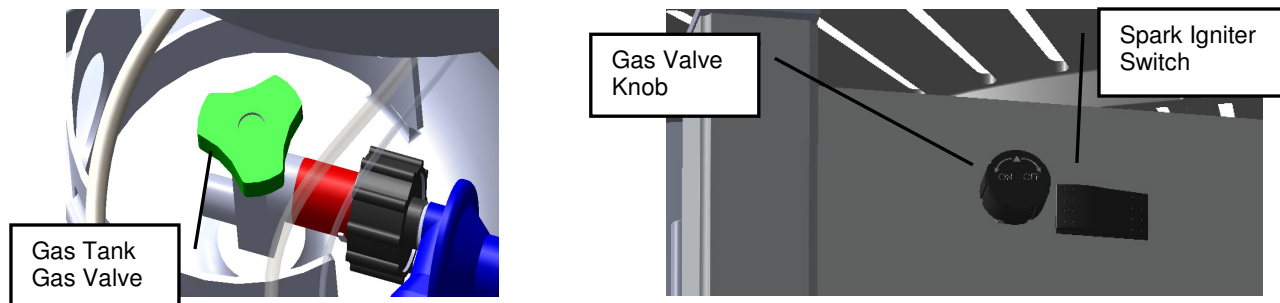
- 4) Blowout Box: Do not cover blowout box vents or opening with lava rock or glass. Incorrect media installation will cause the pilot flame to suffocate and turn off pit or delay main burner ignition.



DO NOT COVER VENTS! DO NOT COVER PILOT OPENING!

LIGHTING INSTRUCTIONS

To light your new Fire Pit, complete all installation and safety instructions above. Be sure to install a 9 volt battery in the ignition system battery case mounted on the inside post of the right door frame. To install the battery, follow the instructions on page 6.

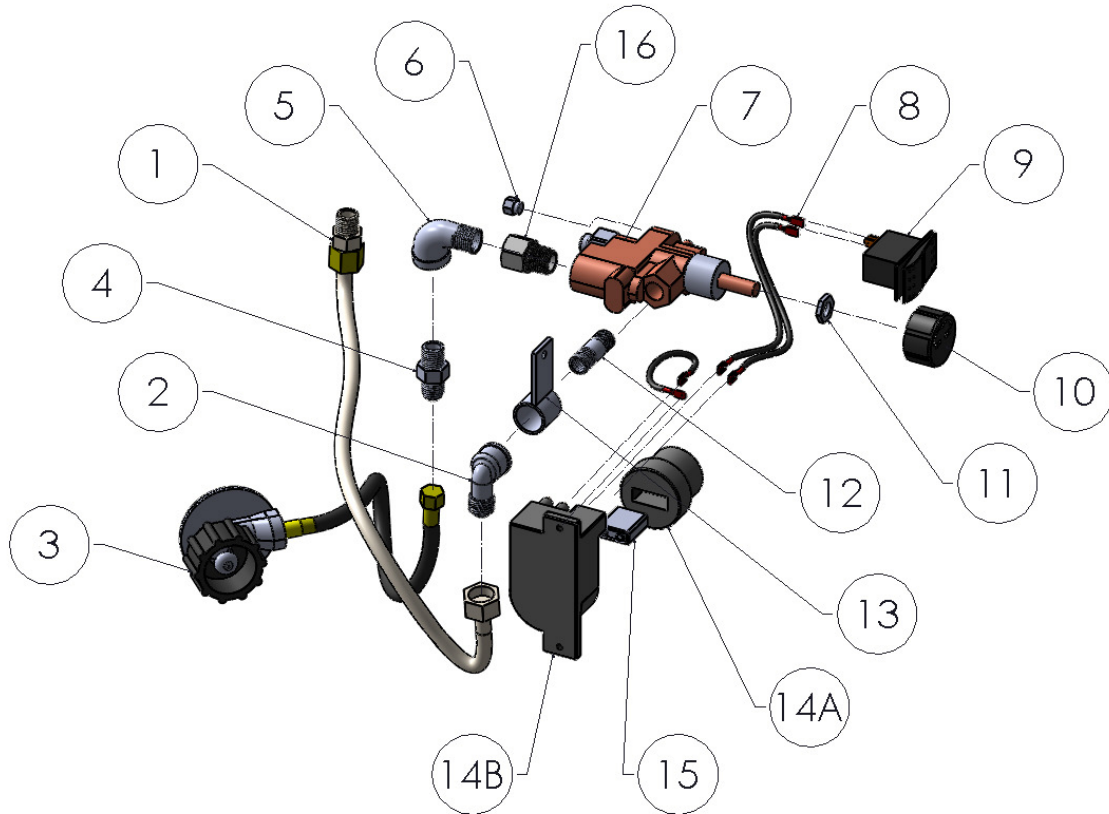


1. Make sure the gas valve on the gas tank is open (turned all the way to the left).
2. Rotate gas valve knob counter-clockwise (left) to center position.
3. Depress and hold the gas valve knob.
4. Turn "On" spark igniter by depressing switch in short bursts until pilot lights.
5. Once lit, release switch for spark igniter while continuing to depress valve knob for 20 seconds.
6. Turn knob counter-clockwise (left) to light main burner. NOTE: If fails to light, rotate knob to center position, wait 5 minutes for gas to clear, repeat Steps 3 ~ 6. If pilot goes out, repeat Steps 3 ~ 6.
7. Once Fire Pit has ignited, DO NOT leave unattended.

FIRE PIT SHUTDOWN

1. Turn "off" fire pit by slightly pressing and turning valve knob clockwise (right) to "OFF" position.
2. Turn "off" gas to Fire Pit at LP tank or other remote location.
3. Once Fire Pit has cooled completely, use appropriate cover (sold separately) to protect Fire Pit.

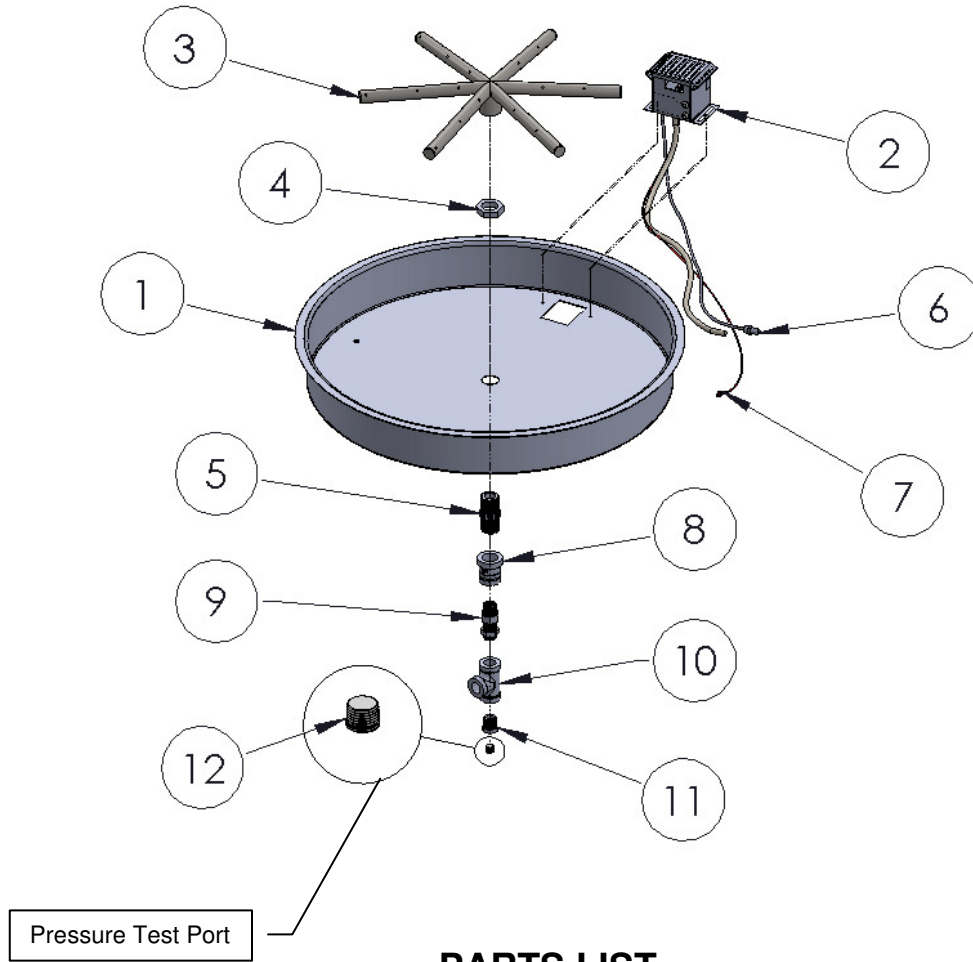
INTERNAL CONTROLS



PARTS LIST

<u>Item No.</u>	<u>Description</u>	<u>Part No.</u>
1	Gas Flex Line, 24" x 1/2"	R15SP100
2	1/2" x 1/2" FIP 90	R15CO101
3	Gas Hose with Regulator, 3/8" x 12" Long	R18FH100
4	3/8" Flare x 3/8" MIPT	R18CO108
5	Elbow, 3/8" M x 3/8" F	R15CO100
6	Compression Fitting, 1/8"	R15CO104
7	Gas Valve	R18VL100
8	Ignition Wire, set of 3, 12" Long	R19WR100
9	Ignition Switch With Gasket	R19SW100
10	Knob, Black, for Gas Valve	R02MS102
11	Nut, Retaining, M1 for Gas Valve	R02NU501
12	Nipple, 3/8" x 1.5"	R15SP101
13	Gas Plumbing Support Weldment	W401100HGM
14A	Spark Igniter Power Supply (Cap)	R19NT101
14B	Spark Igniter Power Supply (Housing)	(Sold as Set)
15	9 Volt Battery	R15DC100
16	Brass Adapter, 3/8"	R15CO111

BURNER TRAY AND CONTROLS



PARTS LIST

<u>Item No.</u>	<u>Description</u>	<u>Part No.</u>
1	Burner Tray, Round 18" Burner Tray, Square 18" (not shown)	R15MS300 R15MS301
2	Blow Out Box Assembly	R19NT108
3	Burner, 6 Point Arm, 12" Diameter	R18BA101
4	Nut, 1/2" Stainless Steel	R02NU500
5	Nipple, 1/2" Stainless Steel	R15CO106
6	Pilot & Thermocouple Assembly	R19TC100
7	Igniter Assembly	R19NT100
8	1/2" x 3/8" Reducing Bushing	R15CO108
9	3/8" LP Gas/Air Mixer	R18VL101
10	3/8" FPT – "TEE"	R15CO109
11	1/2" MPT x 1/8" FPT Reducing Bushing	R15CO110
12	Solid Hex Socket Plug W/Thread Sealant	R02SC443

This Fire Pit has been tested and approved in accordance with ANSI Z21.97 by ICC-ES
Listing No. PMG-1114



Tropitone Furniture Co., Inc.

5 Marconi
Irvine, Ca 92618
949-951-2010

www.tropitone.com

1401 Commerce Blvd.
Sarasota, Fl 34243

© Tropitone Furniture Co., Inc. 2012